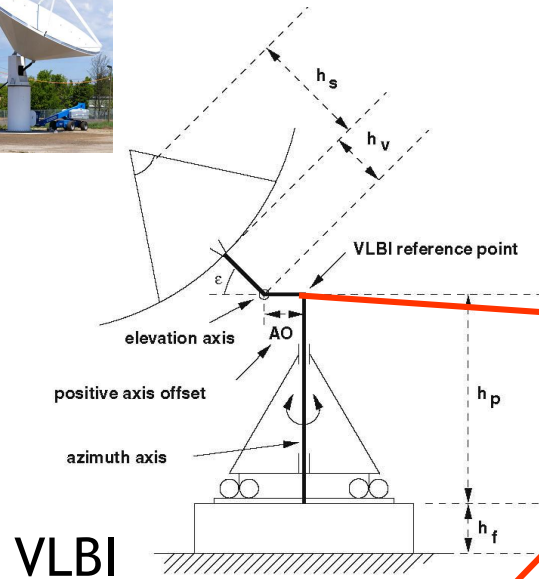
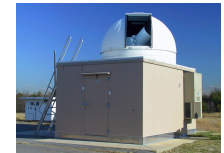
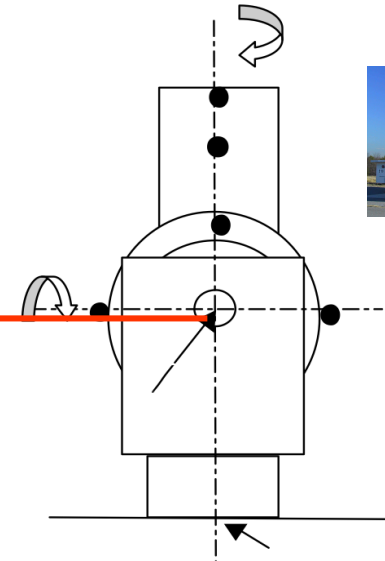


# Fundamental Station Ground Co-location and the essential role of the intersystem vector



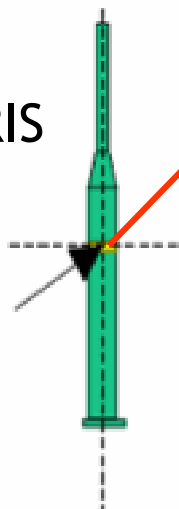
VLBI

## Co-Location System

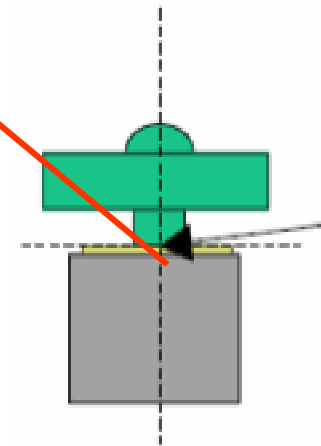


SLR

DORIS



- GNSS and DORIS reference points
  - Extrapolate to measurement phase center
- VLBI and SLR reference points
  - Extrapolate to measurement phase center
  - RP through indirect approach
  - Targets mounted on system structure
  - Rotational sequence about axes of space geodetic instrument
  - Model to determine axes location



GPS



August 8 -12, 2010

The Meeting of the Americas, Foz do Iguaçu, Brazil

# Fundamental Station Space Co-location

