

# **PICOSECOND LASERS WITH RAMAN FREQUENCY AND PULSEWIDTH CONVERSION FOR RANGE FINDING**

**O.V. Kulagin, N.F. Andreev, A.M.Sergeev**

Institute of Applied Physics, Nizhny Novgorod, Russia

**E.A. Grishin**

Institute for Precision Instrument Engineering, Moscow, Russia

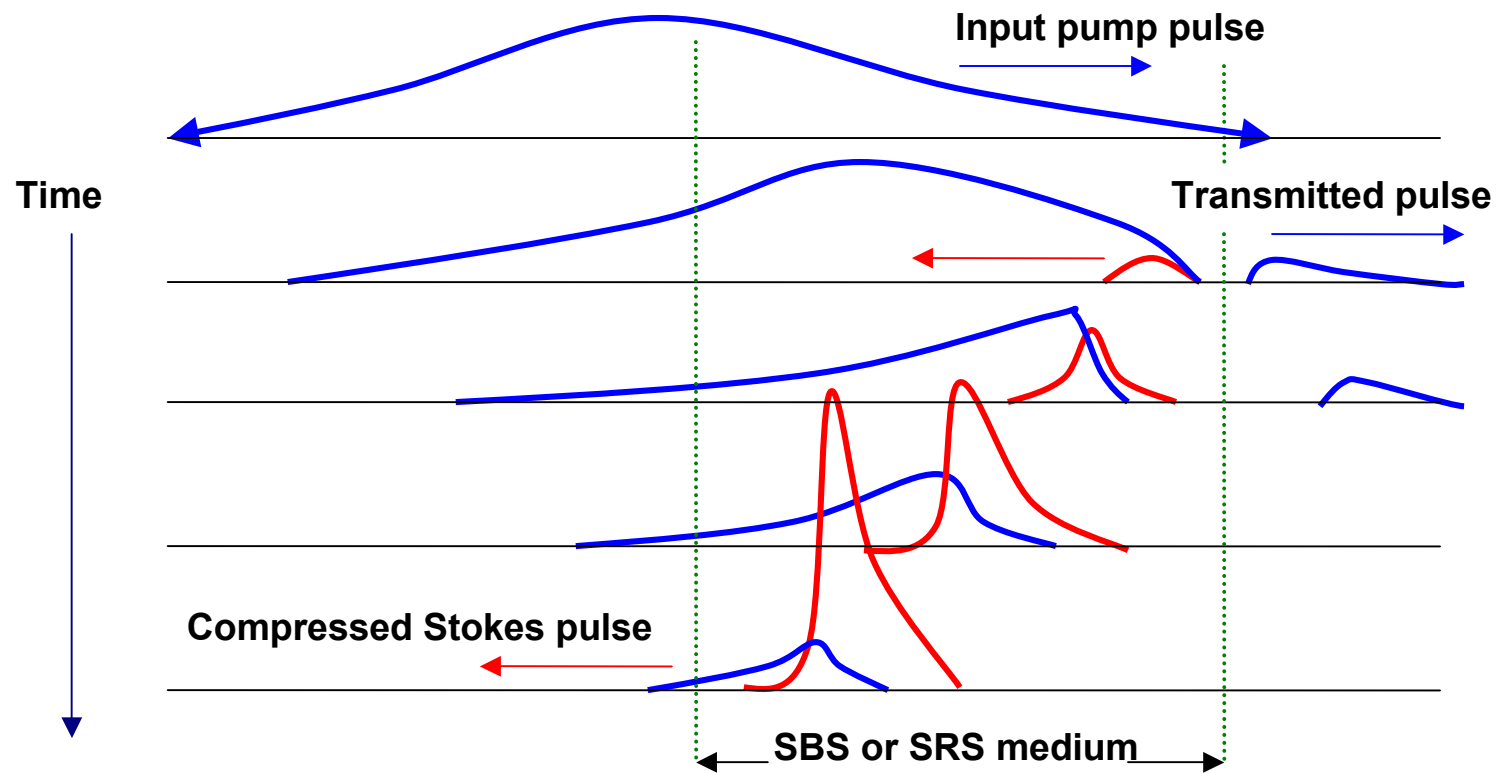
**M. Valley**

Sandia National Laboratories, Albuquerque, USA

# Solid-state lasers with picosecond pulses

- **mode-locked lasers - pulse energy  $< 1\mu\text{J}$ ;**  
T. Beddard, W. Sibbet, D.T. Reid, *et al*, “High-average-power, 1-MW peak-power self-mode-locked Ti:sapphire oscillator”, *Opt. Lett.*, **24**, pp. 163-165 (1999)
- **diode pumped microchip lasers - pulse width  $\geq 56\text{ ps}$ , pulse energy  $1-5\mu\text{J}$ ;**  
B. Braun, F.X. Kartner, G. Zhang, *et al*. “56-ps passively Q-switched diode-pumped microchip laser”, *Opt. Lett.*, **22**, pp. 381-383 (1997)
- **lasers with SBS and SRS pulse compression – any pulse energy, pulse compression value  $\leq 20 - 25$**   
D. Neshev, I. Velchev, W.A. Majevski, *et al*, “SBS-pulse compression to 200 ps in a compact single-cell setup”, *Appl. Phys. B*, **68**, pp. 671-675 (1999).  
A. Dement'yev, E. Kosenko and A. Rodin, “The SRS-amplification of picosecond Stokes pulses”, *Journal of Applied Spectroscopy*, **60**, pp 266-272 (1994).

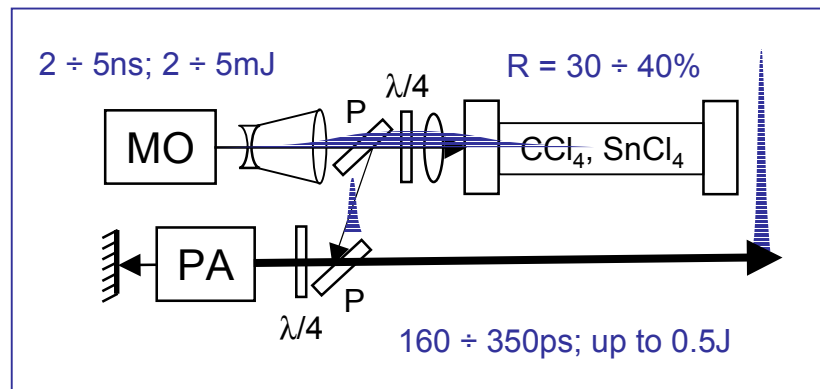
# Formation of the compressed Stokes pulse



V.A. Gorbunov, Sov. J.Quantum Electronics, v.11, p.1368, (1984)

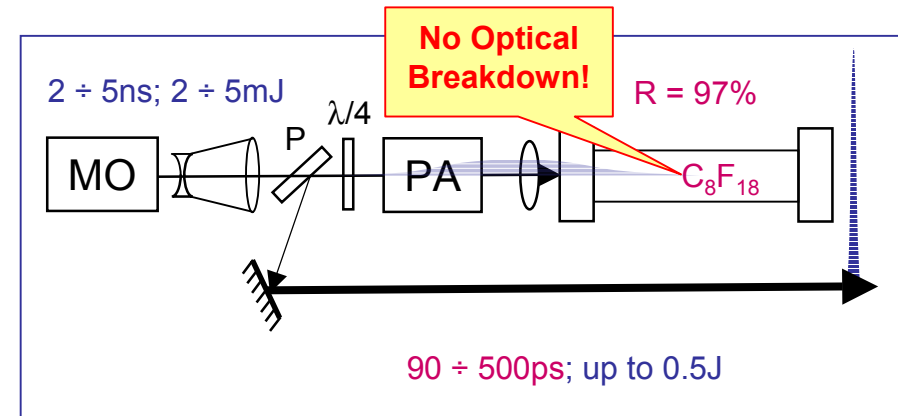
# SBS-compressors schemes:

## Conventional



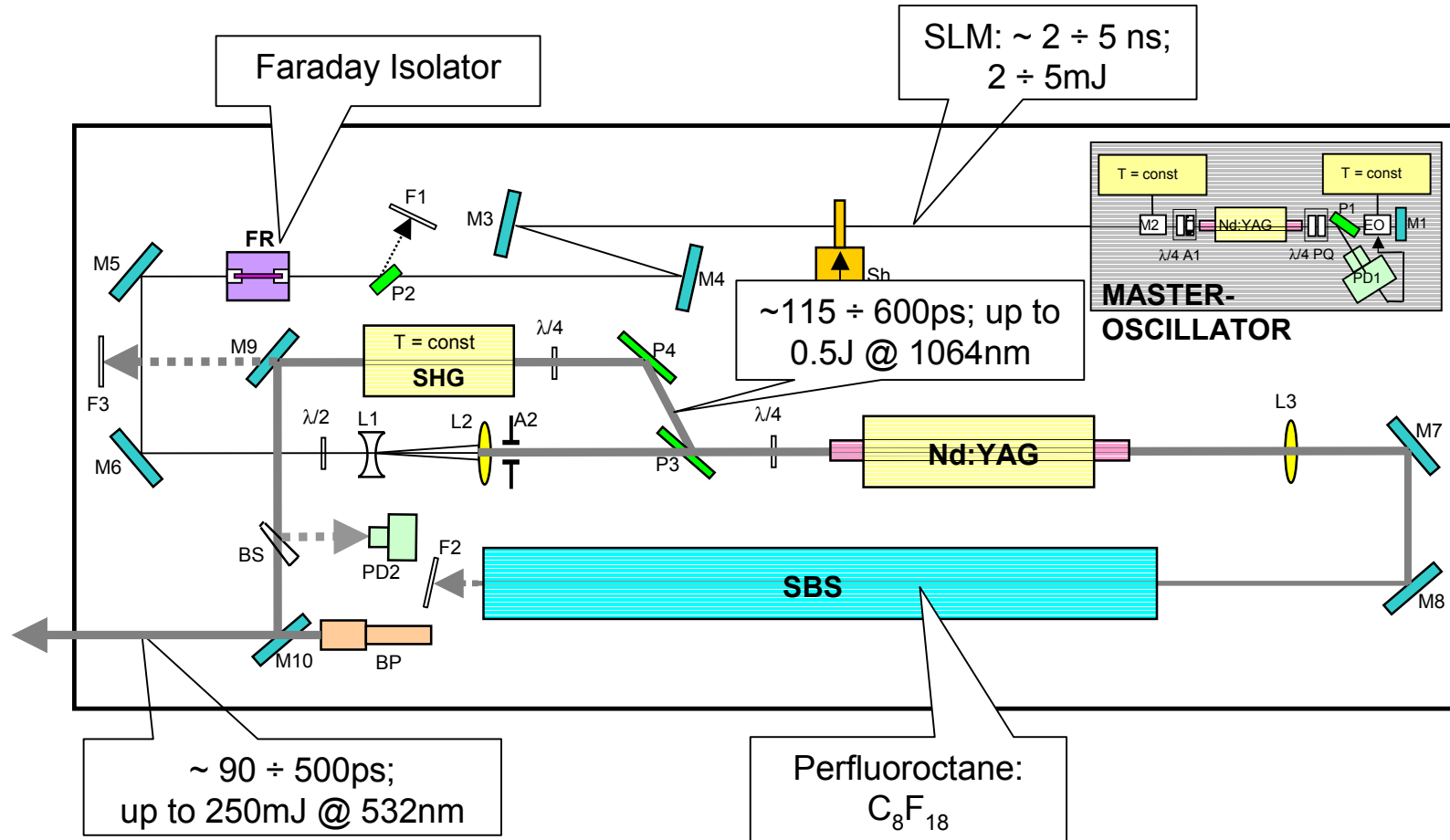
- small SBS-mirror reflectivity
- small amplifier energy extraction
- top-hat output beam profile
- large diffraction distortions
- thermal aberrations in Nd:YAG
- pulse compression up to ~150ps
- energy stability  $\text{StDev}_{532\text{nm}} \sim 6.5\%$

## New, based on C<sub>8</sub>F<sub>18</sub>



- SBS-mirror reflectivity > 97%
- high amplifier energy extraction
- Gaussian output beam profile
- smooth, diffraction-free beam
- phase-conjugated beam
- pulse compression up to ~90ps
- energy stability  $\text{StDev}_{532\text{nm}} \sim 3\%$

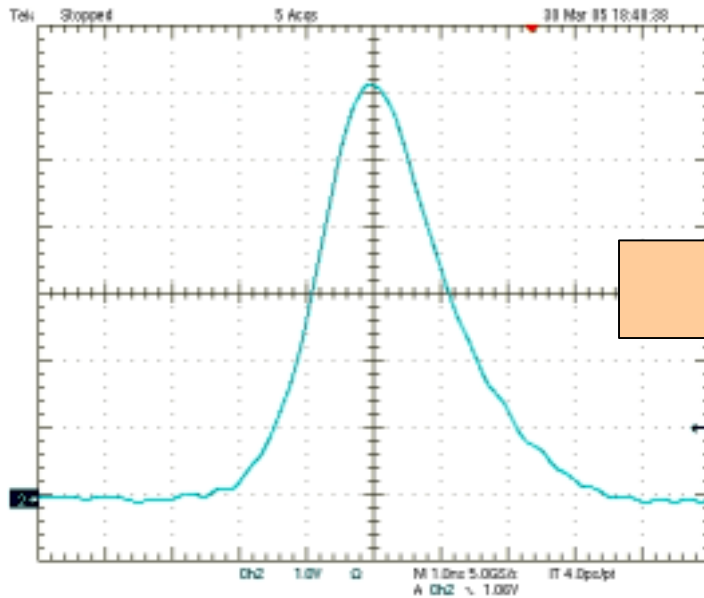
# Optical Scheme



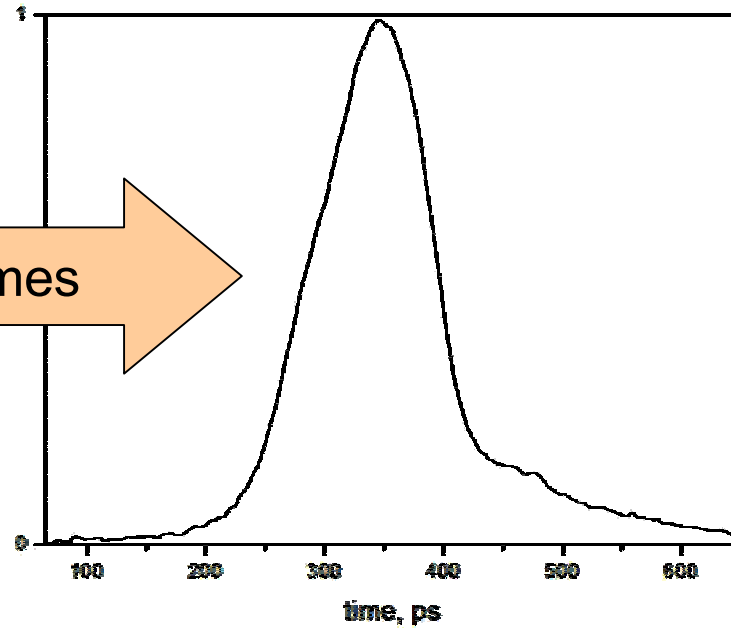
# Pulse compression

From MO:  $\sim 2\text{ns}$ , SLM

After SBS-Amplifier-Compressor:  $\sim 110\text{ps}$



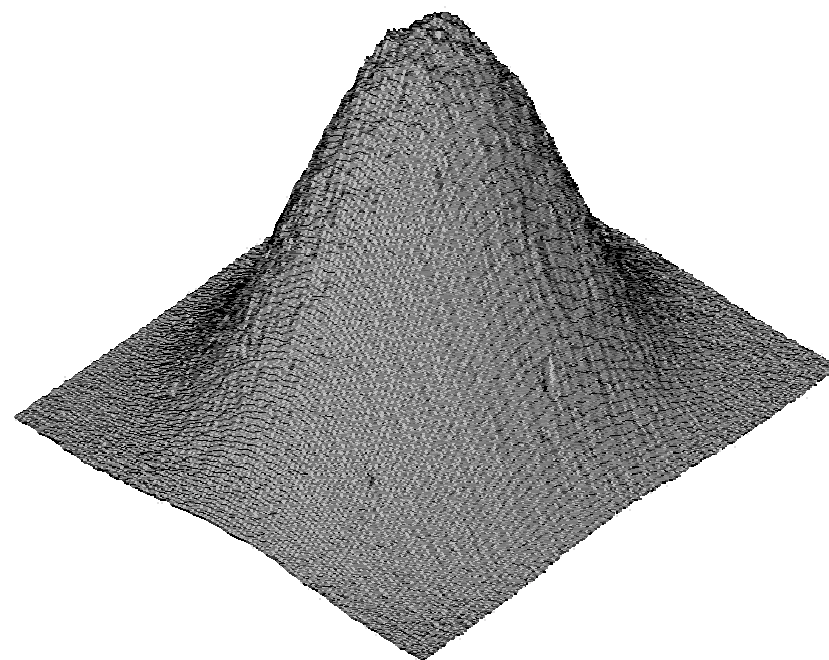
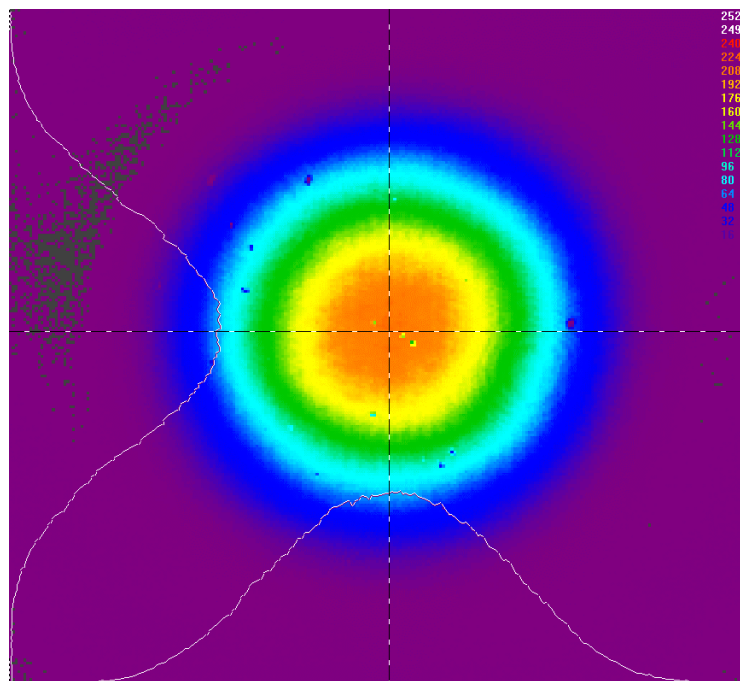
18 times



Tektronix, 1GHz

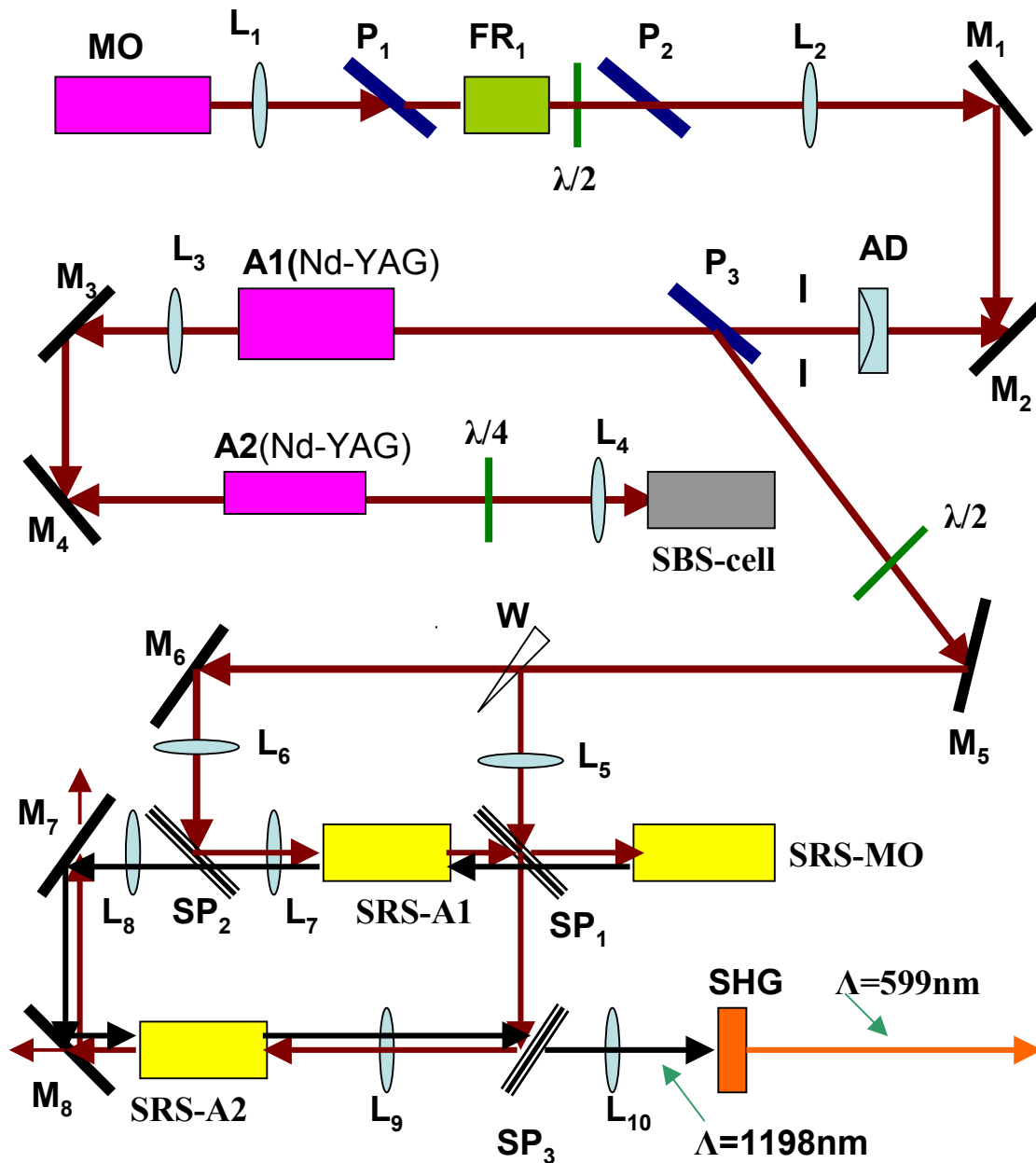
Hamamatsu, 2ps

# Transverse beam distributions after SBS-compressor-amplifier



~200mJ; 1064nm  
Gaussian Factor: >87%

# SBS and SRS-pulse compressed laser



$W_{1,06} = 200 \text{ mJ}$ ,  $\tau_{\text{H}} = 0.33 \text{ ns}$

$W_{1,198} = 100 \text{ mJ}$ ,  $\tau_{\text{H}} = 30 \text{ ps}$

$W_{0,599} = 50 \text{ mJ}$ ,  $\tau_{\text{H}} = 30 \text{ ps}$

SBS-cell:  $\text{SiCl}_4$   $L = 40 \text{ cm}$

SRS-MO:  $\text{Ba}(\text{NO}_3)_2$

$W_{\text{nop}} \approx 0,1 \text{ mJ}$

SRS-A1,2:  $\text{Ba}(\text{NO}_3)_2$

$g = 11 \text{ cm/GW}$ ,

$\Delta\nu = 1048 \text{ cm}^{-1}$

**Compression geometry:**

$L/l_f = M$ ,  $\tau_{\text{H}} = 2L/v$ ,

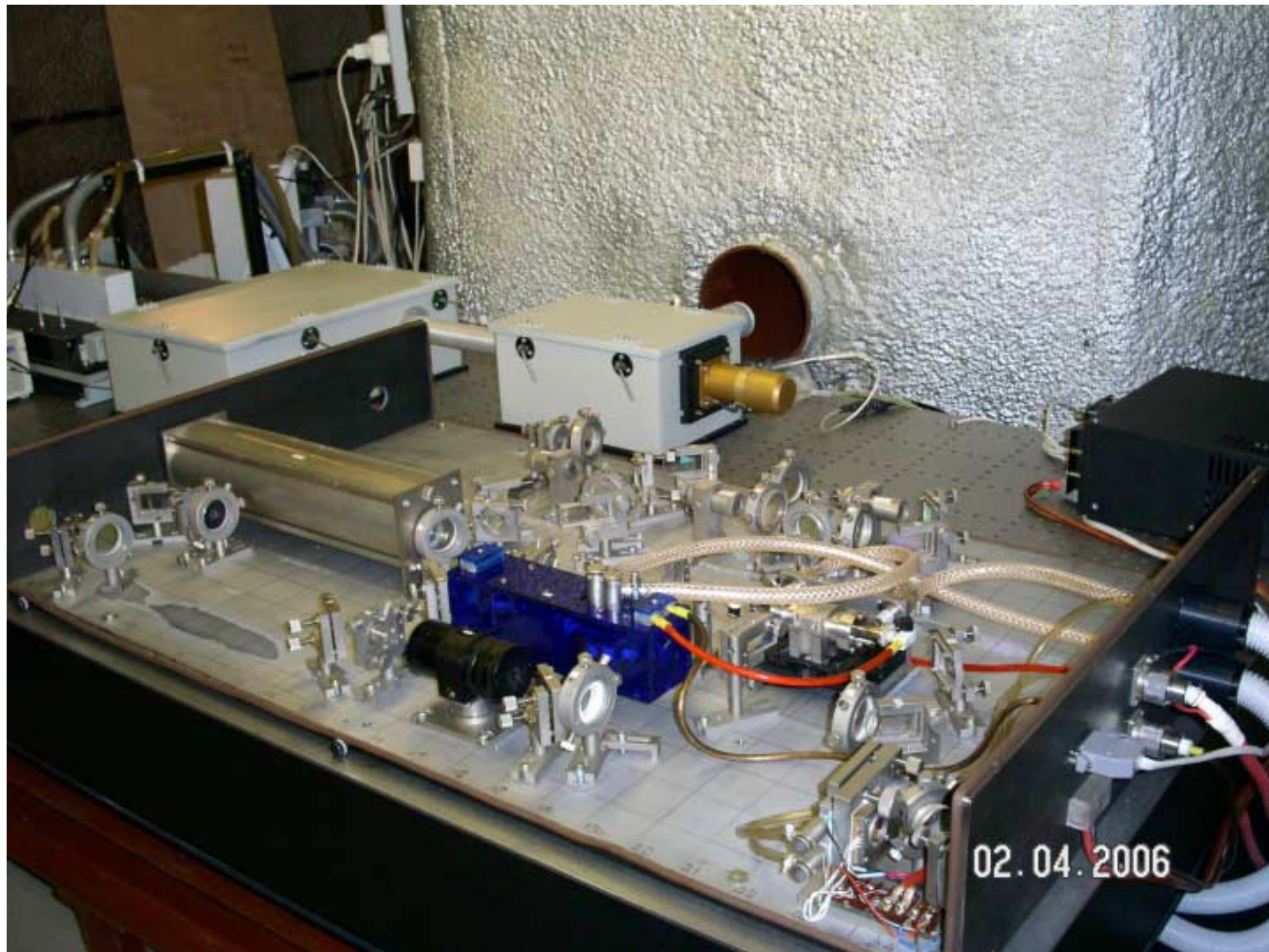




# Altay Optical\ Laser center

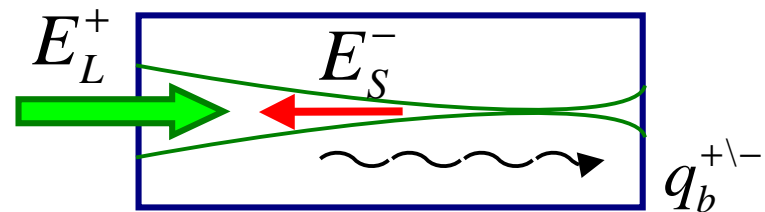
Institute for Precision Instrument Engineering



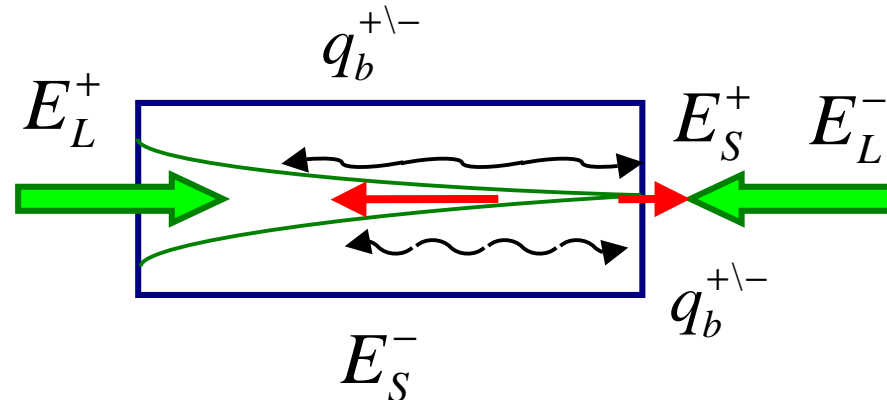


## Interaction geometry

- usual (one pump beam) SRS pulse compression

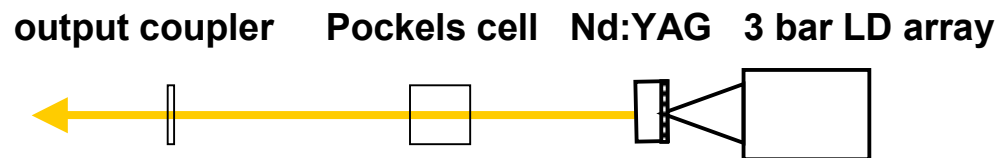
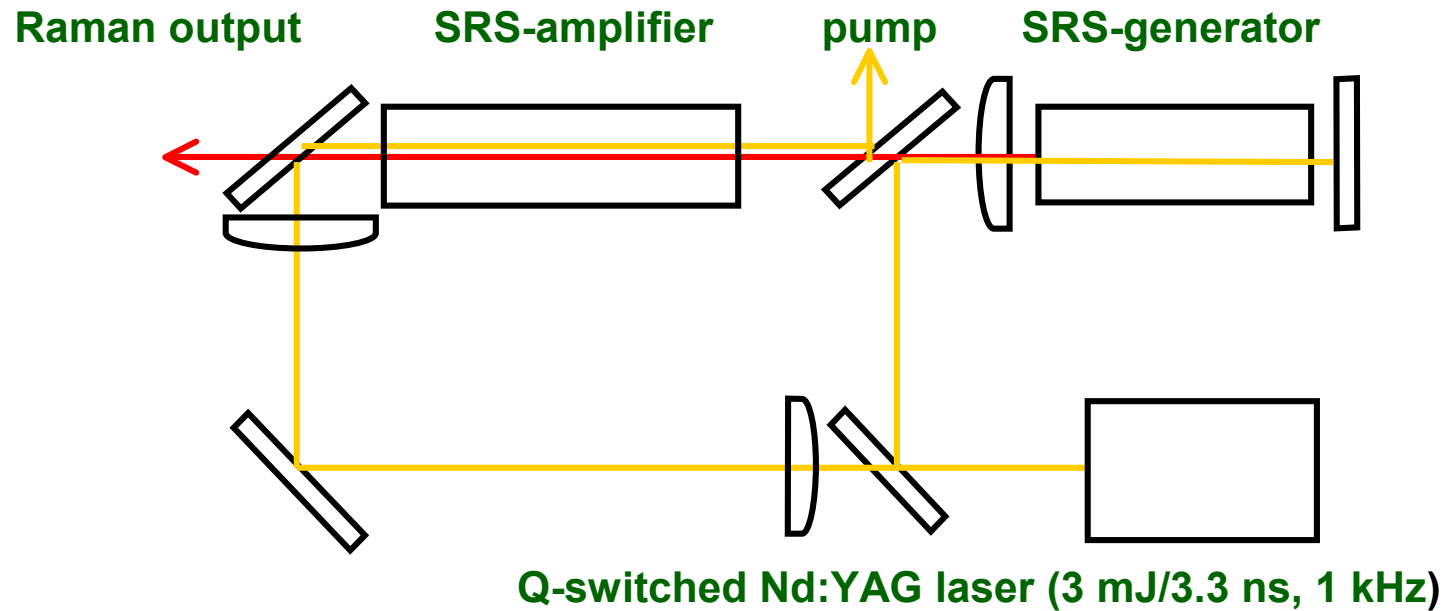


- two pump beam SRS pulse compression



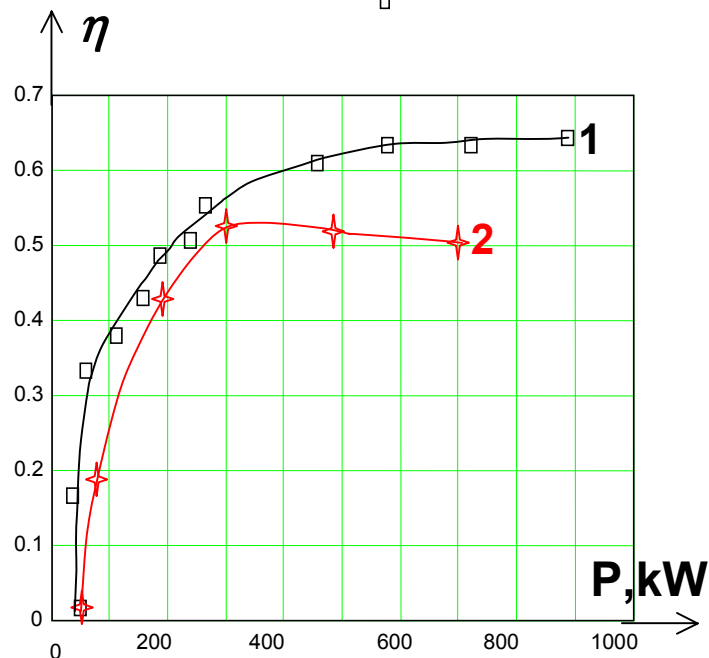
O.V. Kulagin, A.K. Kotov, G.A. Pasmanik, CLEO Pacific Rim, Proceedings, v.2, p.475, (2003)

# Experimental scheme of SRS-oscillator + SRS-amplifier



# Two-pump SRS-compression efficiency

- Raman conversion efficiency  $\eta$  vs. the peak power of the pump pulse (**1** - 100 Hz, **2** - 1kHz)

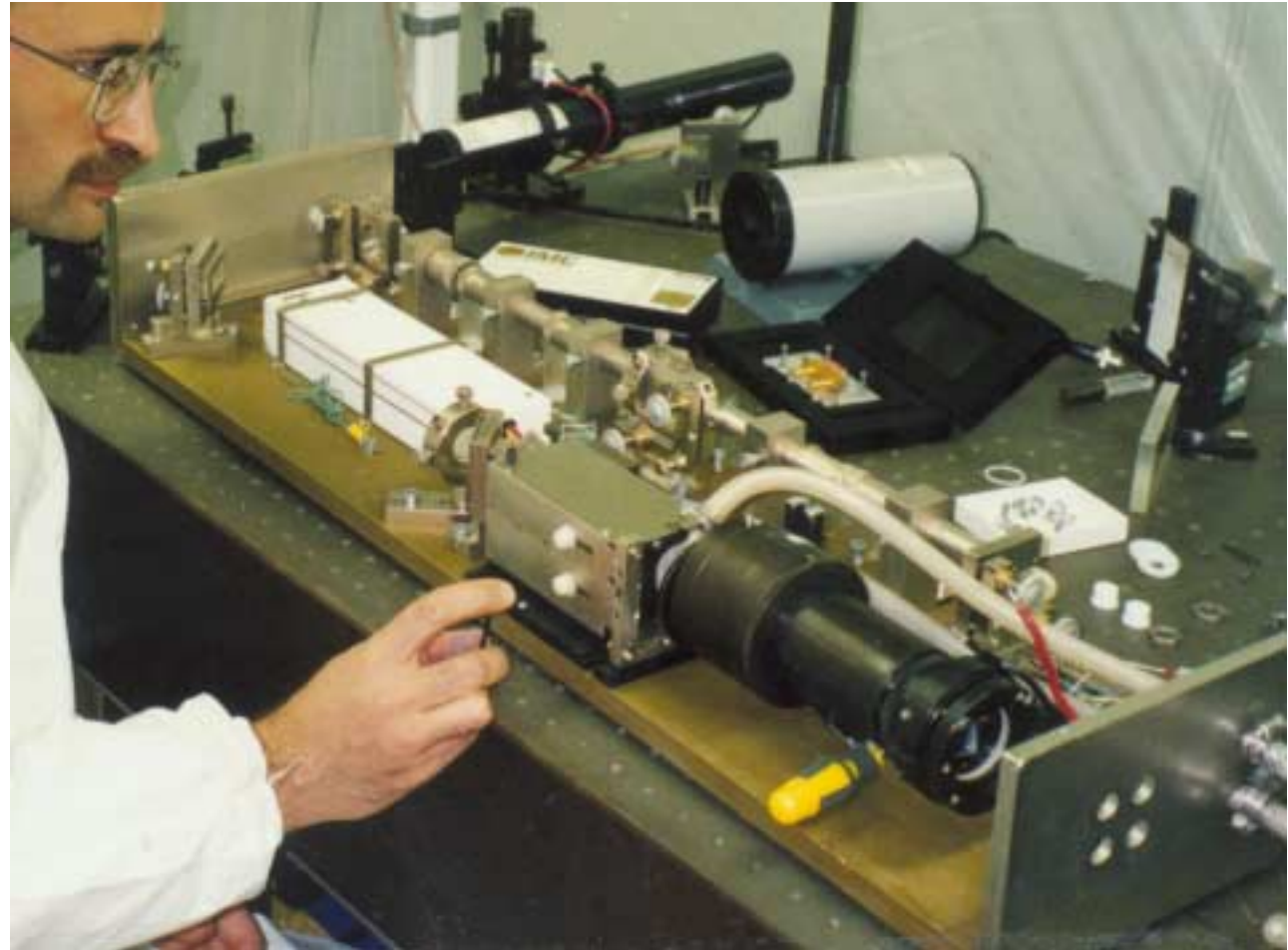


- Autocorrelation function of SRS output radiation



# Compact diode-pumped picosecond Raman laser

- $W \sim 0.8\text{-}1\text{mJ}$
- $\tau = 25\text{ ps}$
- $f = 1\text{ kHz}$
- $M^2 \sim 1.1$
- $\lambda = 1.2\text{ }\mu\text{m}$



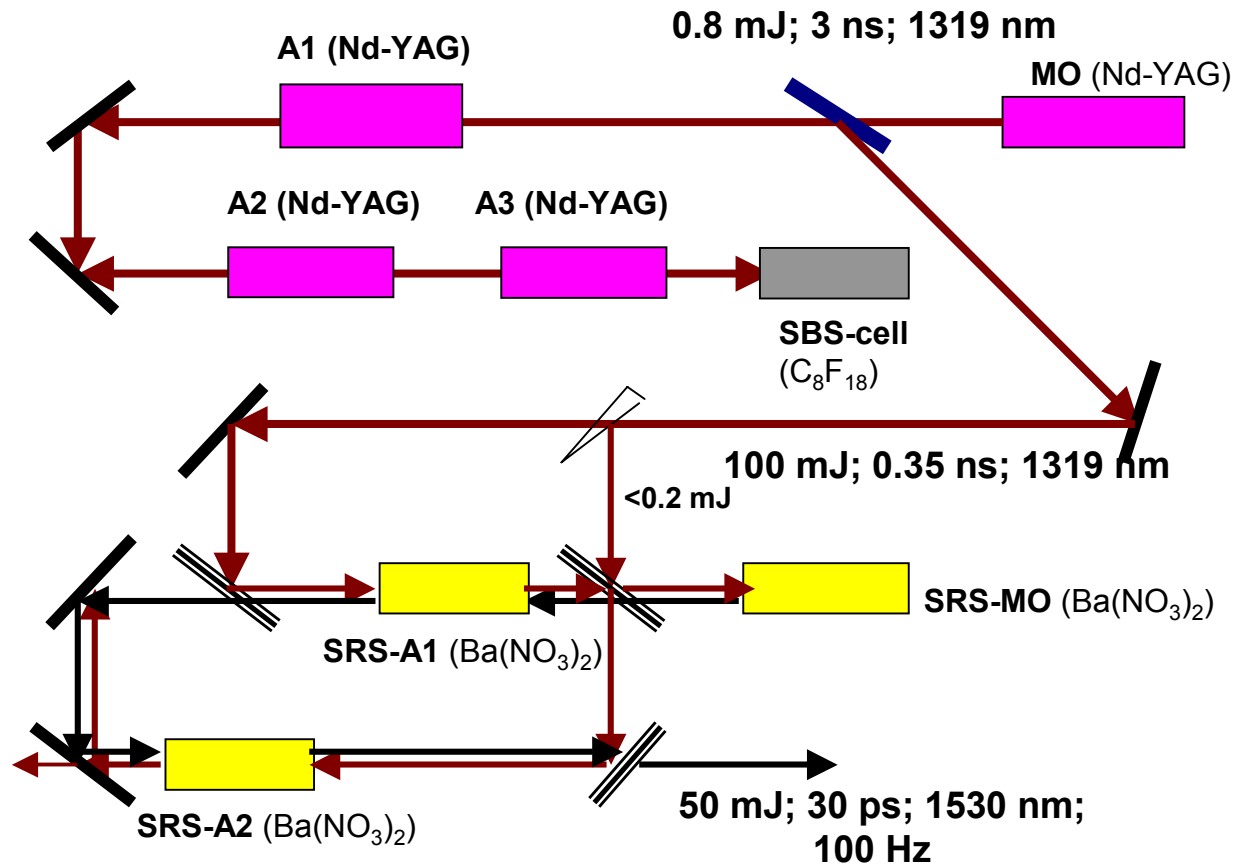
# Mobile Laser Tracker Quantification Of Flight Dynamics



Sandia is a multiprogram laboratory operated by Sandia Corporation, a Lockheed Martin Company, for the United States Department of Energy's National Nuclear Security Administration under contract DE-AC04-94AL85000.

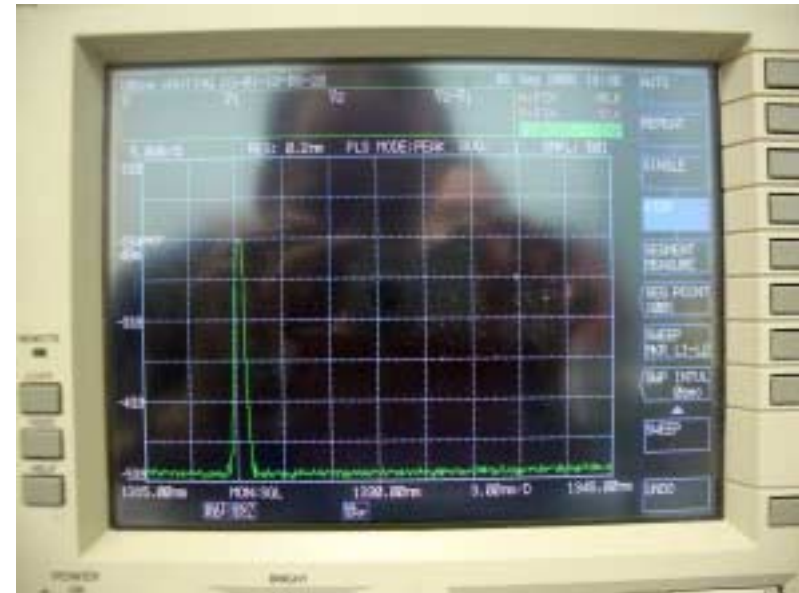
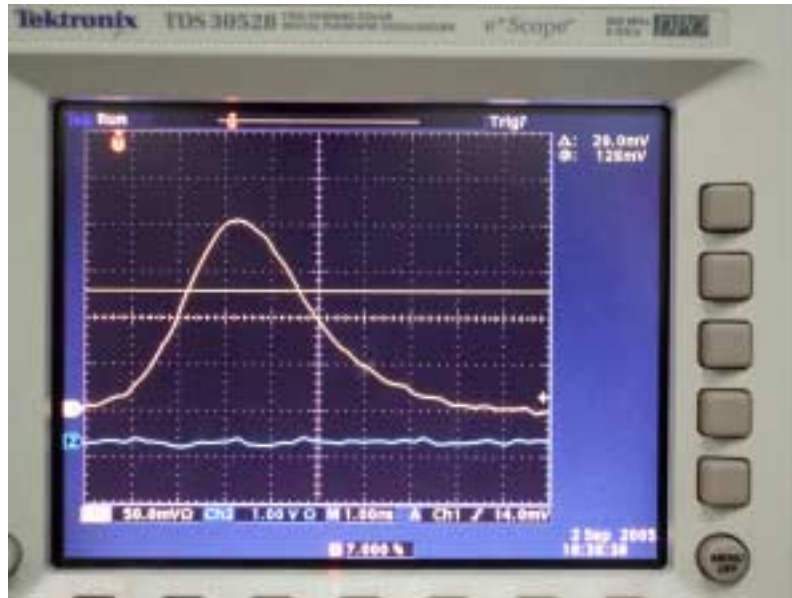


# Picosecond eye-safe laser





# Output parameters of Nd:YAG master oscillator for 1318 nm



Spectrum analyzer systematic error... $\approx +2.6$  nm

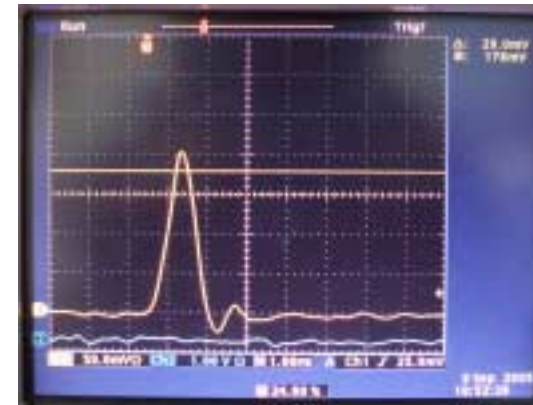
- pulse energy.....up to 0.82 mJ (at R.M.S. deviation  $< 0.5\%$ );
- pulse width.....3.0-3.6 ns;
- near diffraction-limited single-mode and single-frequency generation
- pulse repetition rate.....1-100 Hz

# Generation of 1.5 $\mu\text{m}$ -radiation via SRS in $\text{CH}_4$ and $\text{Ba}(\text{NO}_3)_2$

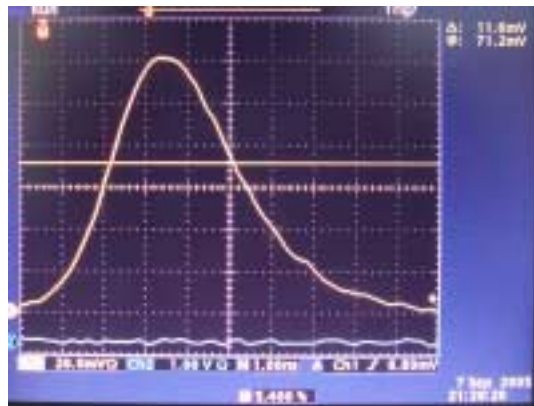


Pump pulse

Methane,  
 $P = 8 \text{ MPa}$ :  
 $\lambda_p = 1.064 \mu\text{m}$   
 $\tau_p \sim 1.1 \text{ ns}$   
 $W_{th} \approx 1.9 \text{ mJ}$   
 $\lambda_{SRS} = 1.543 \mu\text{m}$   
 $\tau_{SRS} < 0.8 \text{ ns}$



Compressed Raman pulse



Barium nitrate:  
 $\lambda_p = 1.319 \mu\text{m}$   
 $\tau_p \sim 3.5 \text{ ns}$   
 $W_{th} \approx 0.4 \text{ mJ}$   
 $\lambda_{SRS} = 1.530 \mu\text{m}$   
 $\tau_{SRS} < 0.8 \text{ ns}$

